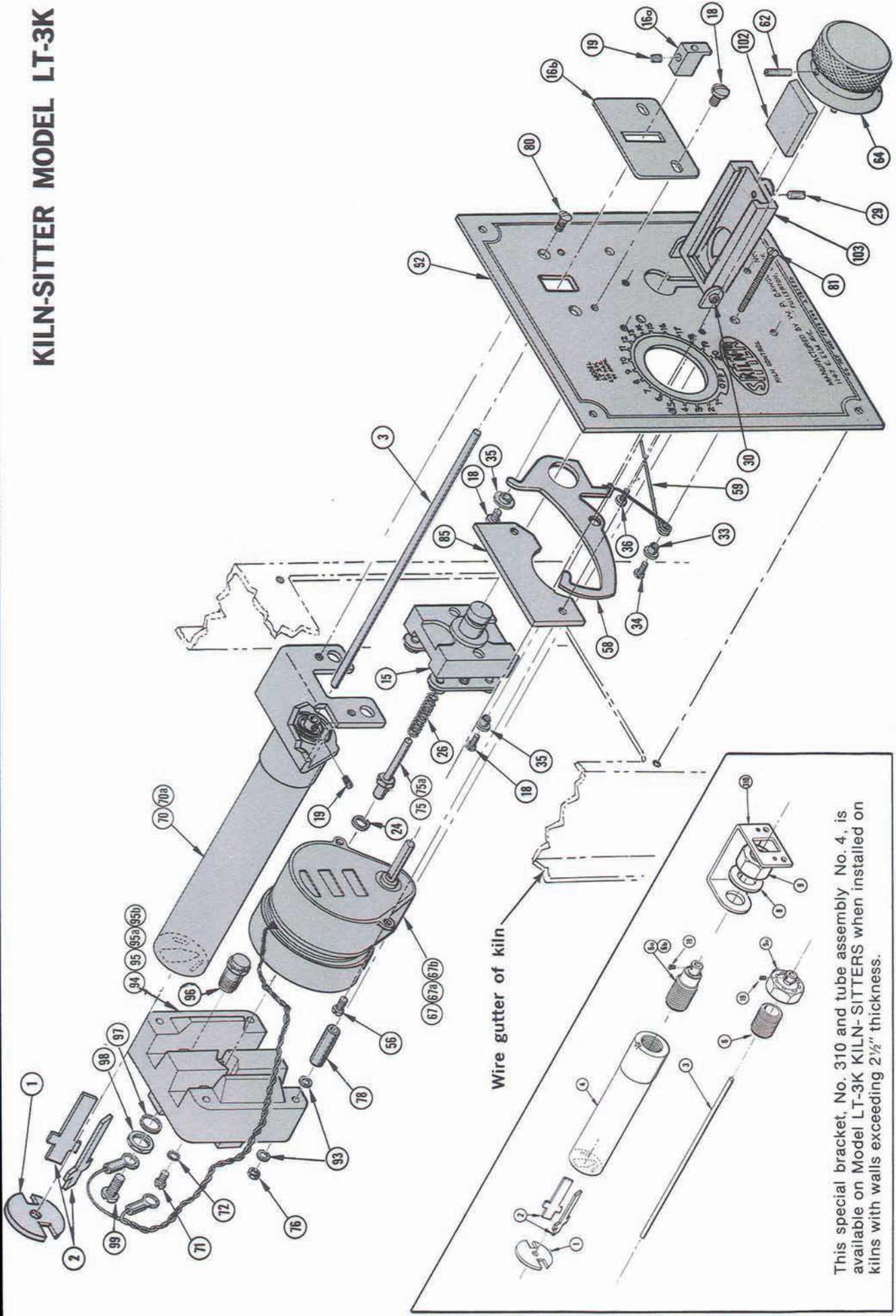


# KILN-SITTER MODEL LT-3K



Wire gutter of kiln

This special bracket, No. 310 and tube assembly No. 4, is available on Model LT-3K KILN-SITTERS when installed on kilns with walls exceeding 2 1/2" thickness.